



## Arieta LED Area Light - AR13/AR18 Series Installation Guide

---

This procedure is designed as an installation aid. Skilled tradespeople that are familiar with general construction and electrical installation techniques should perform the installation. Licensed electricians should provide electrical installation connections. Installations and connections should be done in accordance with all national and local codes and permits. In no way is this document intended to construe warranty or fitness of use of the products described, nor is it intended to provide safety instruction for those installing the product.

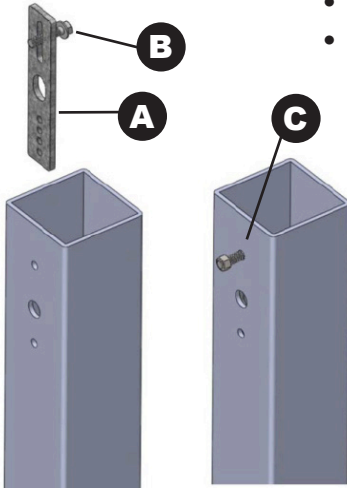
### **WARNING**

#### **Before proceeding with installation or service maintenance of this product:**

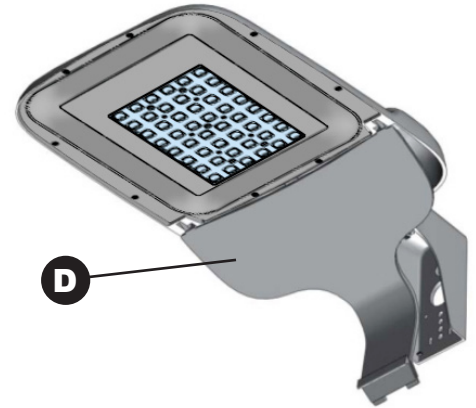
- Disconnect power to reduce electrical shock risk.
- Review the entire Installation Guide.
- Inspect this properly packaged product for any damage that may have occurred during transit.
- Verify product application complies with manufacturer design recommendations.
- Verify the availability of necessary tools and incidental material.
- Verify applicable code requirements. Field assembly and installation are subject to acceptance by local inspection authority.
- Appropriate safety equipment to be determined by end user, per applicable safety standards and precautions.

## Standard Luminaire Installation

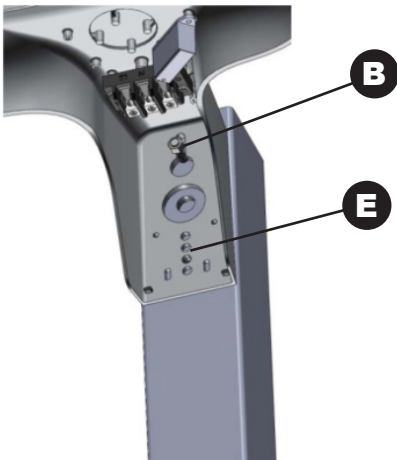
- Arieta's universal mount is ideal for retrofit applications
- For new installations, see page 5 for drilling dimensions
- See page 4 for Wall Mount installation



**Step 1** - Install the back plate **A** inside the pole with top bolt. **B** Install nut/washer near end of bolt. **C**

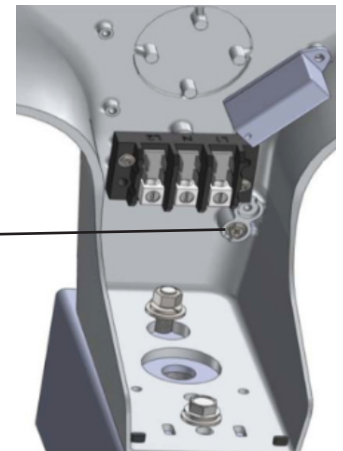


**Step 2** - Open the power door. **D**



**Step 3** - Hang the luminaire on top bolt. **B**

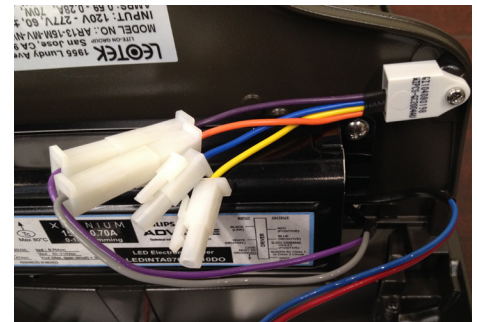
**Step 4** - Align bottom holes **E** in the luminaire and back plate with closest hole in the pole, install lower bolt, and tighten upper nut/washer and lower bolt.



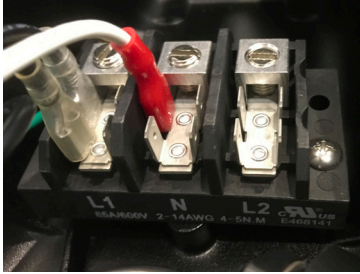
**Step 5** - Connect grounding wire to grounding screw. **F**

### Step 6 - Adjust Drive Current

Drive current should comply with designed illumination levels and circuit loading. Consult with design engineer before changing. If a new drive current is required, open the connector and change the connection according to the current selector diagram installed in the fixture. Note: If the FDC option or CR option was ordered, the drive current cannot be changed.



Electrical Wiring Connection



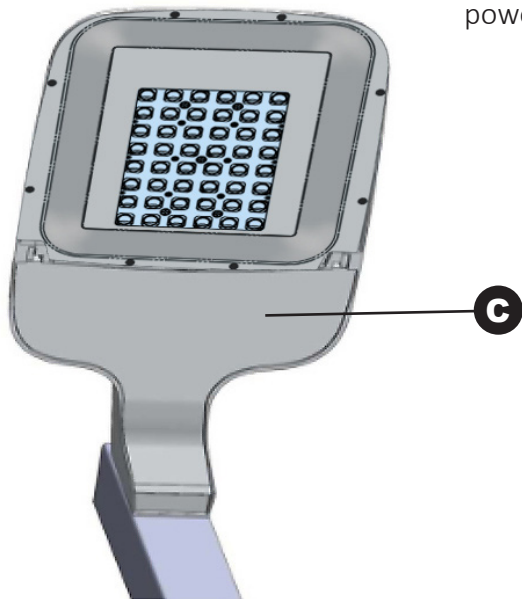
Wiring Table

	<b>MV*</b> <b>(120/220/277V)</b>	<b>HV*</b> <b>(347/480V)</b>
<b>L1</b>	Hot 1	Hot 1
<b>N</b>	Neutral	Hot 2
	Hot 2 (208V/240V)	
<b>L2</b>	Don't Connect	Don't Connect

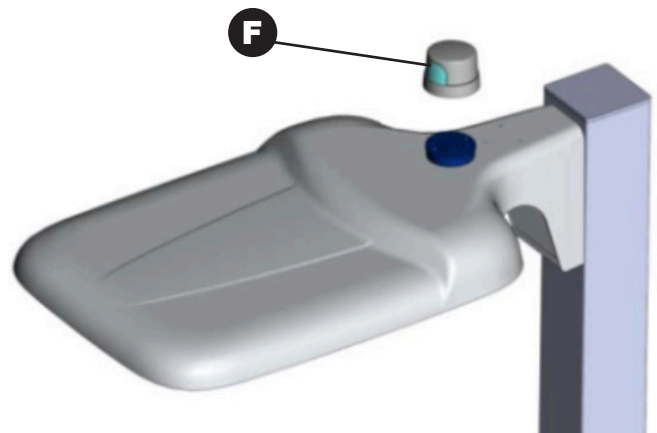
**\* All Power Supplies are Auto-Sensing**

**Step 7** - Connect the black conductor (Hot) to the input terminal marked "L1".

**Step 8** - Connect the white conductor (Neutral) or second black conductor (Hot 2) to the input terminal marked "N" according to Wiring Table.

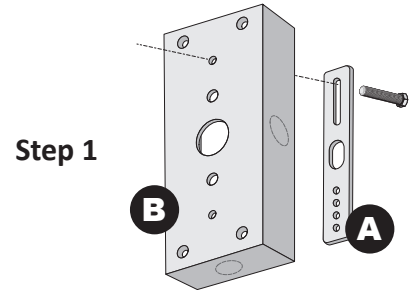


**Step 9:** Close the power door. **G**

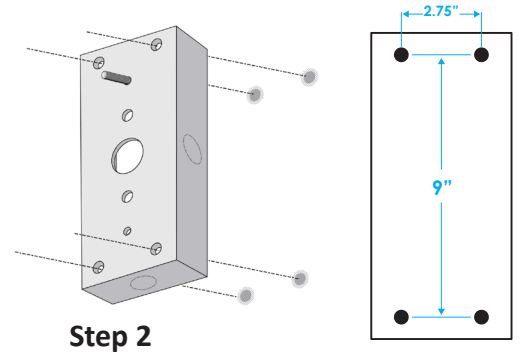


**Step 10:** If luminaire is furnished with photocontrol receptacle, install the photocontrol or shorting cap. **F**

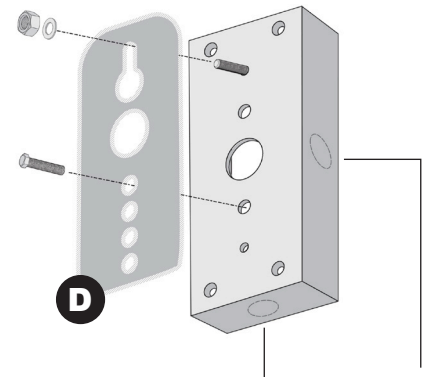
**Step 1** - The wall mount uses fasteners and back plate provided with AR13/18. Insert the back plate **A** inside the wall mount **B** with slotted hole facing up. Insert bolt provided through the slotted hole and into threaded hole at the top center of the wall mount. Tighten bolt so back plate is secure against the back side of the wall mount with top of slotted hole resting on top of the bolt.



**Step 2** - Drill four mounting holes in wall corresponding with template shown. Secure the wall mount to the wall with 1/4" anchor bolts (provided by others). Use bolts and anchors that are appropriate for mounting surface. Use flat head bolts if flush look is desired. Wiring may be run directly through the large center hole or through knockouts for 1/2" conduit on top, bottom and sides of wall mount to accommodate surface wiring.

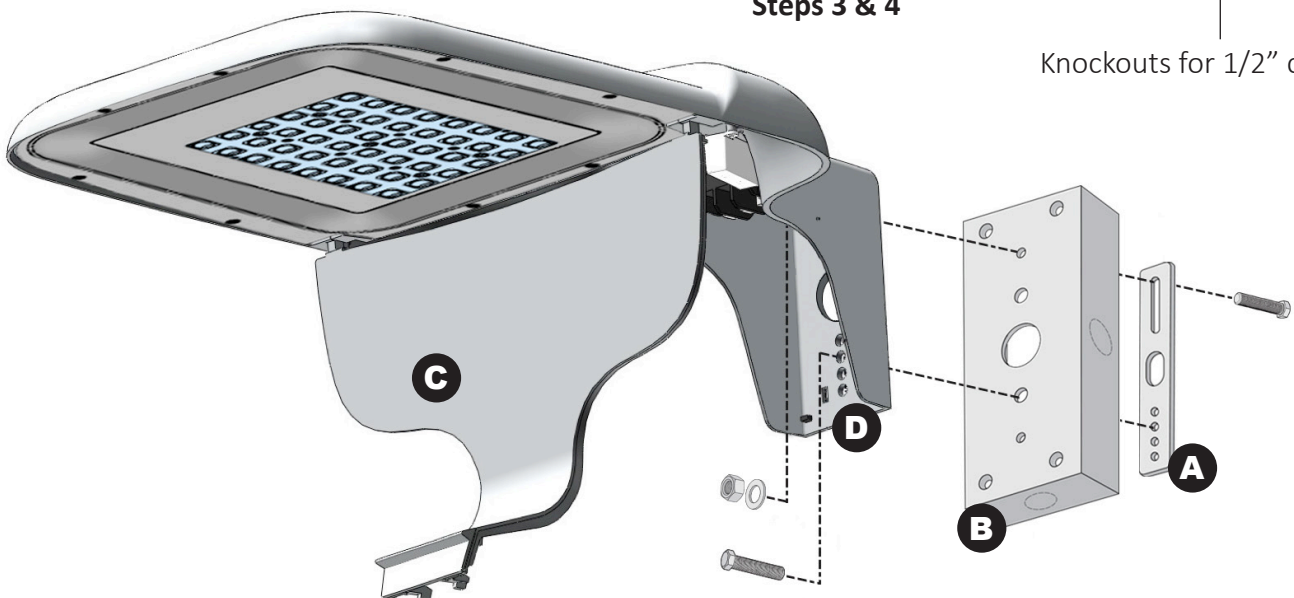


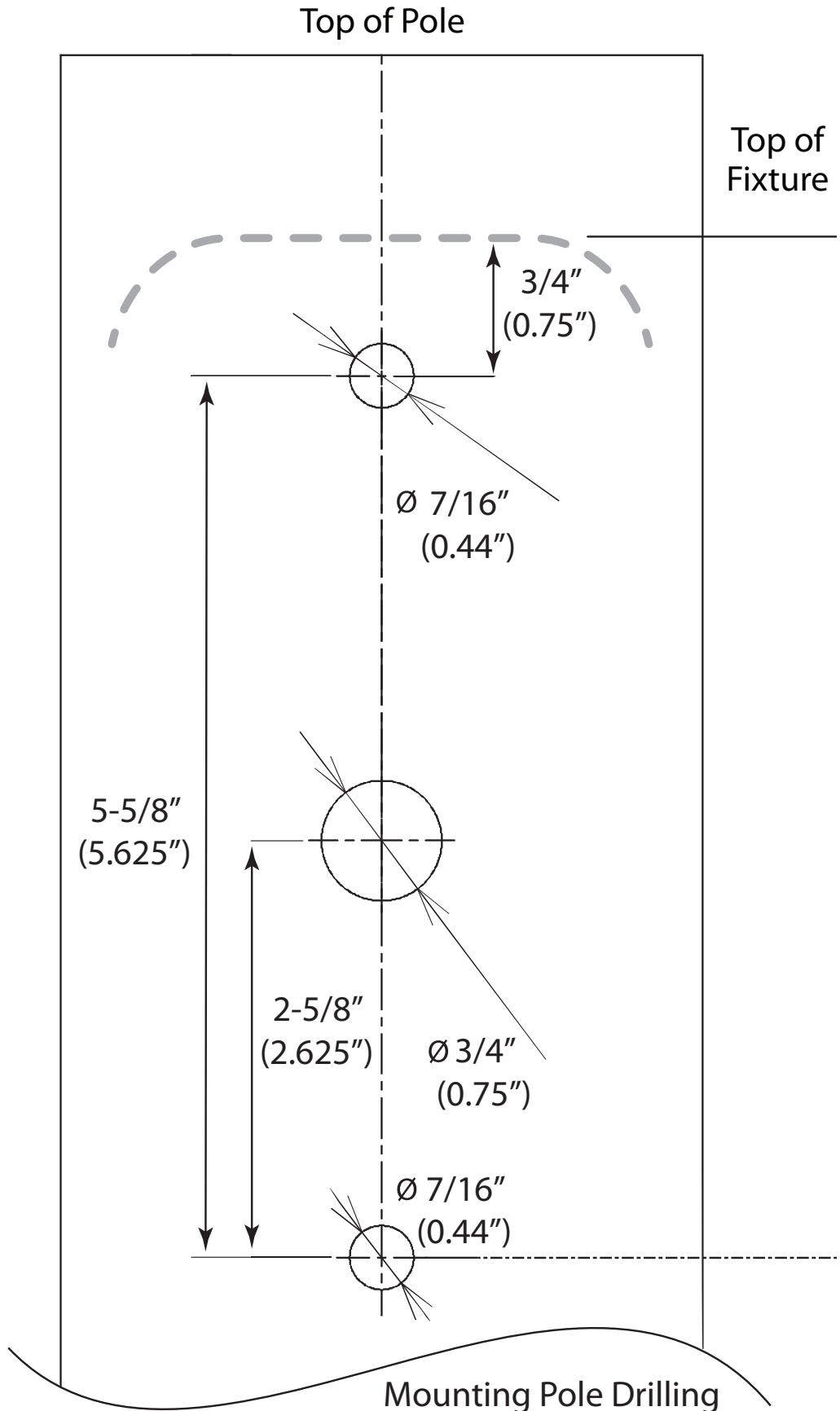
**Step 3** - Open the Arieta power door **C** and insert the bolt protruding from the wall mount through the center top slotted hole in the mounting base **D** of the Arieta luminaire. Rest the fixture on the bolt and secure it with washer and nut provided.



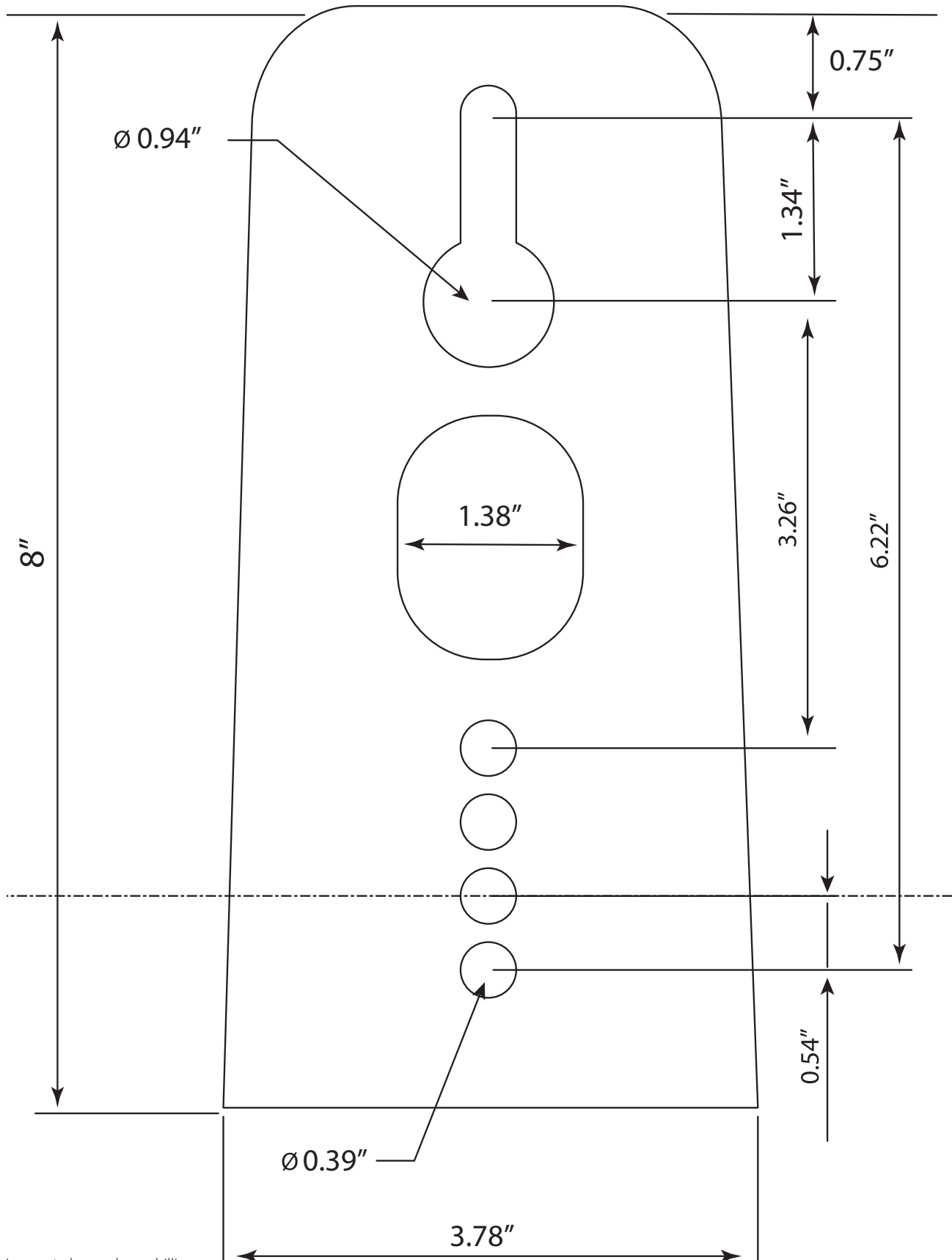
Steps 3 & 4

Knockouts for 1/2" conduit





If printing this page to be used as a drilling template, for best results update printer settings from: "Fit to Page" to "Actual Size".



**Arieta Housing Universal Rear Mount**

If printing this page to be used as a drilling template, for best results update printer settings from: "Fit to Page" to "Actual Size".

