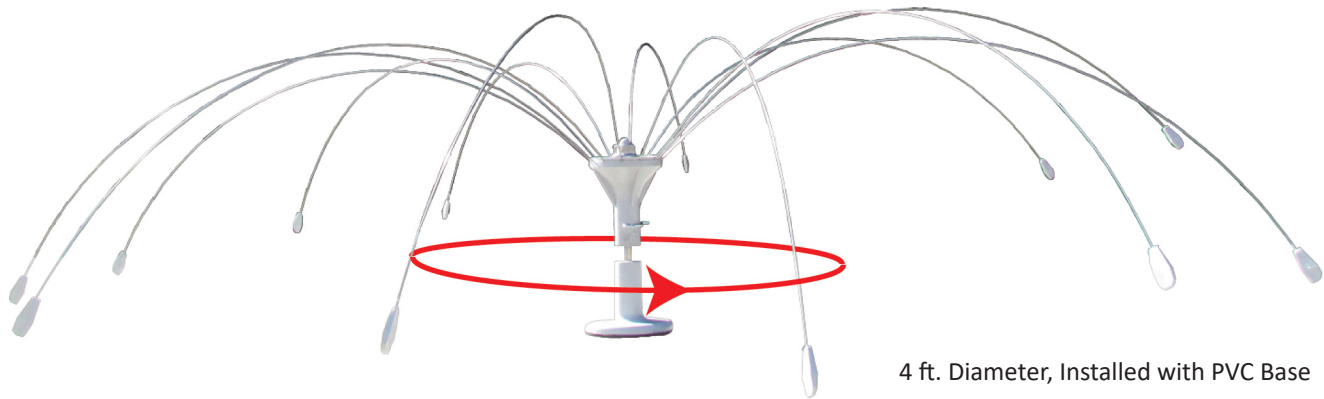


Bird Deterrent Spider for LED Street and Area Lights



Overview:

Bird Spiders are stand alone physical deterrents used to discourage birds from landing. The Bird Spider's "arms" bounce and sway in the wind creating a visual distraction zone that will discourage birds from landing on the surface where it is mounted. Every Bird Spider comes with a square weather-proof PVC base with inserts (holes) for screwing or gluing down. *See next page for Installation Instructions*

Features:

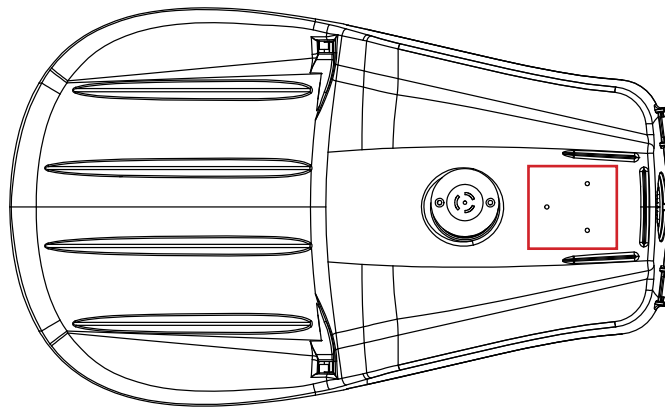
- Stainless Steel "Arms" move with the breeze, which deters birds from landing and causing damage.
- The mounting base of the Bird Deterrent Spider has no moving parts, which makes it durable, sturdy and stable.
- Easy to Install and Maintenance Free.



1955 Lundy Ave., San Jose, CA 95131 ☉ 408.380.1788

Bird Deterrent Spider Installation

1. Ensure mounting surface is thoroughly cleaned before installing the Bird Spider. Use an appropriate cleaning solution to prepare the surface, such as Microcide SQ™ or a 10% bleach or ammonia solution to disinfect the area.
2. Stainless Steel arms must be clear of obstructions, have room to move with the air, and should be no more than 2-3" above mounting surface. Do not mount the Bird Spider in an area where the arms will be suppressed from movement or blocked by walls.
3. Gluing Down the Base: Do not glue the bottom of the unit without installing the PVC base. Apply a construction grade adhesive to the underside of the base before placement. The manufacturer of the Bird Spider recommends the use of SikaFlex and Eclectic E6100 brand adhesives for best adhesion.
4. Screwing Down the Base: The base should be screwed down using self-tapping screws. Make sure you do not damage the internal components of your luminaire when drilling or screwing the base to the housing. **YOU MUST ASSURE ALL HOLES ARE SEALED TO PREVENT MOISTURE FROM ENTERING!**



Placement of Bird Spider on a Leotek GreenCobra GCL



1955 Lundy Ave., San Jose, CA 95131 ☉ 408.380.1788