

DT Series Extended Life LED 8" and 12" Traffic Signal Module Incandescent Look Ball



Leading the LED Industry Since 1992
With over 7,000,000 units installed globally

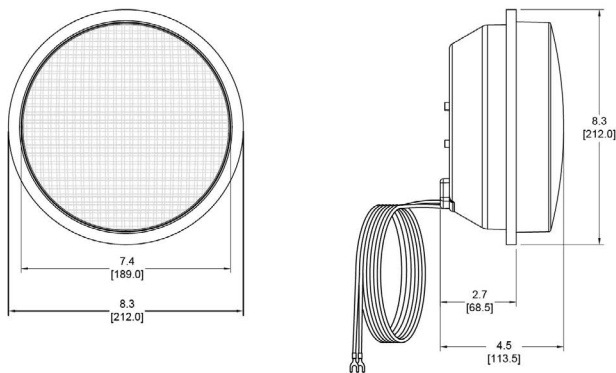


Superior Performance and Reliability

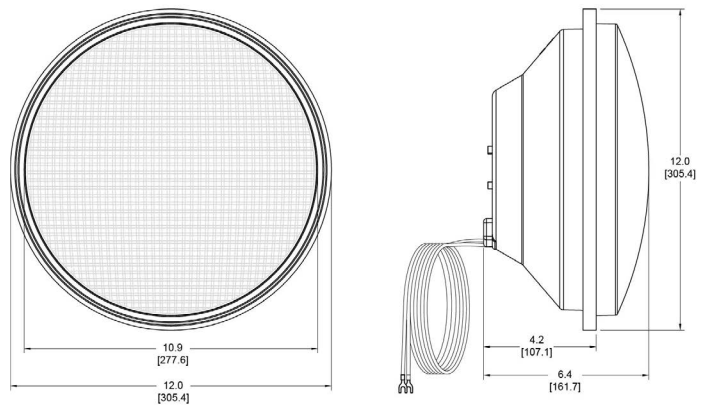
- Special extended life LEDs (LM-80/TM-21)
- Special purpose-built extended life power supply
- Intertek ETL verified
- Meets and/or exceeds all ITE standards ITE VTCSH LED Circular Signal Supplement dated June 27, 2005
- Patented innovative optical technology
- Wider viewing angle and enhanced uniformity
- Overmolded electrical connectors provide fully-weatherized seal
- Excellent moisture and dust resistance
- Utilizes constant current source to maintain consistent light output
- 15-year limited full performance warranty

Mechanical Dimensions [in(mm)]

8 Inch









12 Inch



DT Series Extended Life LED 8" and 12" Traffic Signal Module Incandescent Look Ball

Model Specifications and Ordering Options

Operating Temperature: -40°F to 165°F (-40°C to 74°C)	Turn-On/Turn-Off Time: < 75msec
Operating Voltage: 80 - 135Vac	Turn-Off Voltage: > 35Vac
Power Factor: > 0.90	Total Harmonic Distortion (THD): < 20%

	Model Number and Color	Wattage Drawn	Voltage	Dominant Wavelength	Maintained Intensity (cd) Min.	Standard
DT	8 inch ball					
	TSL-08R-DT-A1 	6.1	80-135Vac	626	165	ITE 2005/ETL
	TSL-08Y-DT-A1 	6.1	80-135Vac	589	410	ITE 2005/ETL
	TSL-08G-DT-A1 	6.2	80-135Vac	500	215	ITE 2005/ETL
	12 inch ball					
	TSL-12R-DT-A1 	6.2	80-135Vac	626	365	ITE 2005/ETL
	TSL-12Y-DT-A1 	7.9	80-135Vac	589	910	ITE 2005/ETL
	TSL-12G-DT-A1 	6.1	80-135Vac	500	475	ITE 2005/ETL

Notes:

- 1 Tinted lens standard, clear lens optional. When ordering clear lens, please add "-CLR" to model number. Both tinted and clear lens are Intertek ETL Verified.

Standard Conformance

- FCC Compliant for Electrical Noise
- MIL-STD-810F Moisture Resistant
- MIL-STD-883 Mechanical Vibration
- NEMA TS2 Section 2.1.8, Transient Voltage Protection over 2000V
- IEC 1000-4-5, 3KV, 2 ohm source impedance
- ANSI/IEEE C62.41-2002; IEC 61000-4-12, 6KV, 200A, 100KHz ring wave

ITE VTCSH Compliance - LED Circular Signal Supplement – June 27, 2005

• Conditioning	ITE 6.4.2	• Luminous Intensity	ITE 6.4.4.1-4
• Mechanical Vibration	ITE 6.4.3.1	• Chromaticity	ITE 6.4.4.6
• Temperature Cycling	ITE 6.4.3.2	• Current Consumption	ITE 6.4.6.1