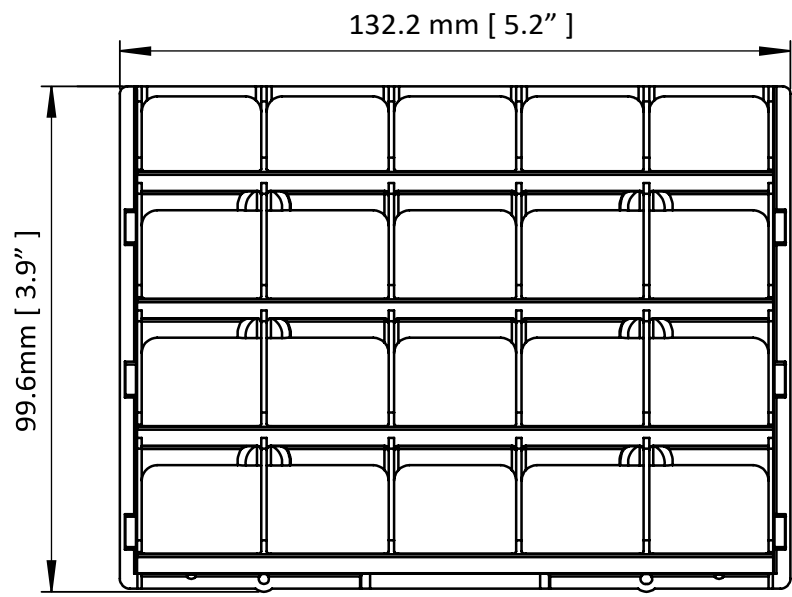
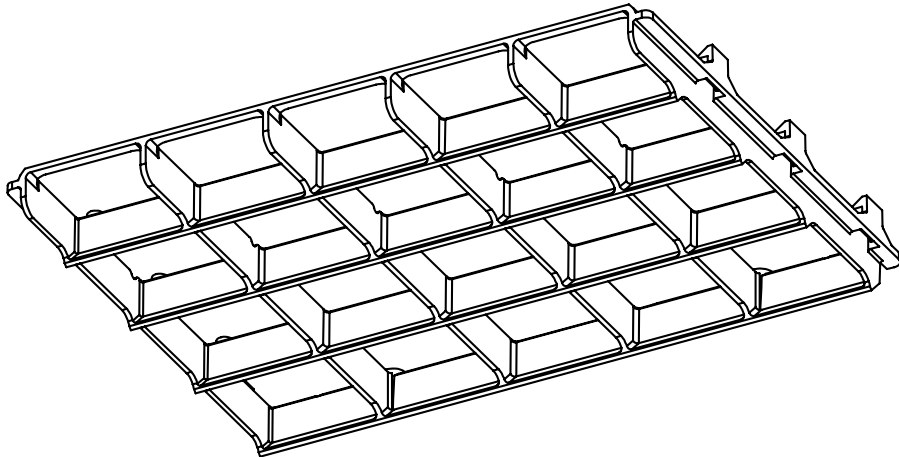


GCJ, GCM and GCL Cul-de-Sac Shield (CSS) Snap-on Assembly



| Product | CSS Part No. | No. of Shields per Luminaire |
|---------|--------------|------------------------------|
| GCJ | CSSGCJ | 1 |
| GCM | CSSGCM | 2 |
| GCL | CSSGCL | 4 |

NOTES:

- Color: Black
- Meets ROHS standard
- Meets UL94 5VA Flammability Standard
- Clips on top sides of shield easily snap into place against edges of light engine
- All models snap-on without tools.
- Cul-de-Sac Shields cut off light trespass at approximately 1- ½ the mounting height on either side and ½ the mounting height behind the pole.

LEOTEK[®]
LITE-ON GROUP

Green Cobra™ Cul-de-Sac Shield (CSS)

LEOTEK ELECTRONICS USA, LLC
1955 LUNDY AVENUE
SAN JOSE, CA 95131
PHONE: (408) 380-1788
FAX: (408) 518-8128

G CJ, G CM and G CL Cul-de-Sac Shield (CSS) Snap-on Assembly

G CJ



G CM



G CL



Cul-de-Sac Shield (CSS)
Installed on G CJ



Green Cobra™ Cul-de-Sac Shield (CSS)

LEOTEK ELECTRONICS USA, LLC
1955 LUNDY AVENUE
SAN JOSE, CA 95131
PHONE: (408) 380-1788
FAX: (408) 518-8128