

# IL6-P3 Series LED 8" and 12" Traffic Signal Module Incandescent Look Ball

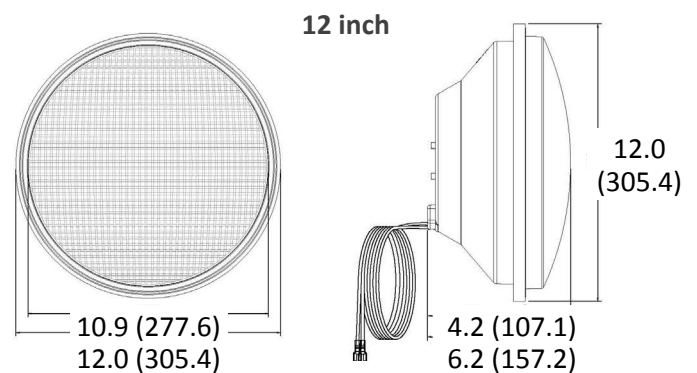
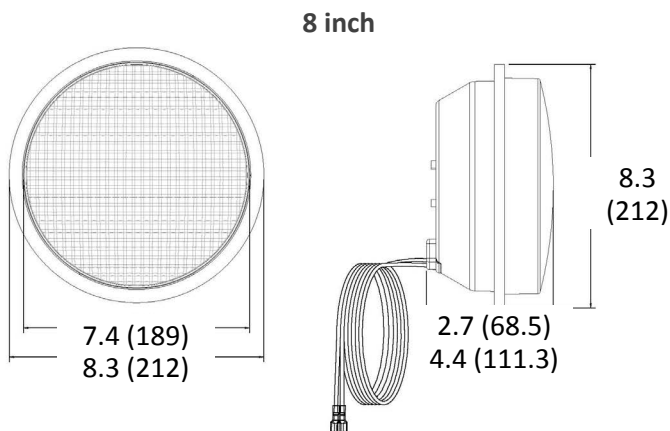
**Leading the LED Industry since 1992 with the most energy efficient ITE-compliant traffic signal module.**  
With over 7,000,000 units installed globally



## Superior Performance and Reliability

- Unique masking options available
- Intertek ETL verified
- Meets and/or exceeds all ITE standards ITE VTCSH LED Circular Signal Supplement dated June 27, 2005
- More energy efficient than previous model
- Easy installation into existing signal housings
- Patented innovative optical technology
- Wider viewing angle and enhanced uniformity
- Maintains 70% of the initial lumen intensity after 100,000 hours of operation
- Overmolded electrical connectors provide fully-weatherized seal
- Excellent moisture and dust resistance
- Utilizes constant current source to maintain consistent light output
- Superior thermal management
- Environmentally friendly
- 5-year limited warranty







## Mechanical Dimensions [in(mm)]



# IL6-P3 Series LED 8” and 12” Traffic Signal Module Incandescent Look Ball

## Model Specifications and Ordering Options

Operating Temperature: -40°F to 165°F (-40°C to 74°C)	Turn-On/Turn-Off Time: < 75msec
Operating Voltage: 80 - 135Vac	Turn-Off Voltage: > 35Vac
Power Factor: > 0.90	Total Harmonic Distortion (THD): < 20%

	Model Number and Color	Wattage Drawn	Voltage	Dominant Wavelength	Maintained Intensity (cd) Min.	Standard
<b>IL6-P3</b>	<b>8 inch ball</b>					
	TSL-08R-LX-IL6-A1-P3 	6	80-135Vac	626	165	ITE 2005/ETL/Caltrans
	TSL-08Y-LX-IL6-A1-P3 	6	80-135Vac	589	410	ITE 2005/ETL/Caltrans
	TSL-08G-LX-IL6-A1-P3 	6	80-135Vac	500	215	ITE 2005/ETL/Caltrans
	<b>12 inch ball</b>					
	TSL-12R-LX-IL6-A1-P3 	6.2	80-135Vac	626	365	ITE 2005/ETL/Caltrans
	TSL-12Y-LX-IL6-A1-P3 	9.7	80-135Vac	589	910	ITE 2005/ETL/Caltrans
	TSL-12G-LX-IL6-A1-P3 	6.7	80-135Vac	500	475	ITE 2005/ETL/Caltrans

**Notes:**

- 1 Tinted lens standard, clear lens optional. When ordering clear lens, please add “-CLR” to model number. Both tinted and clear lens are Intertek ETL Verified.

## Standard Conformance

- FCC Compliant for Electrical Noise
- MIL-STD-810F Moisture Resistant
- MIL-STD-883 Mechanical Vibration
- NEMA TS2 Section 2.1.8, Transient Voltage Protection over 2000V
- IEC 1000-4-5, 3KV, 2 ohm source impedance
- ANSI/IEEE C62.41-2002; IEC 61000-4-12, 6KV, 200A, 100KHz ring wave

## ITE VTCSH Compliance - LED Circular Signal Supplement – June 27, 2005

• Conditioning	ITE 6.4.2	• Luminous Intensity	ITE 6.4.4.1-4
• Mechanical Vibration	ITE 6.4.3.1	• Chromaticity	ITE 6.4.4.6
• Temperature Cycling	ITE 6.4.3.2	• Current Consumption	ITE 6.4.6.1