



## Safeguard™ UTL Utility Light Installation Guide

This procedure is designed as an installation aid. Skilled tradespeople that are familiar with general construction and electrical installation techniques should perform the installation. Licensed electricians should provide electrical installation connections. Installations and connections should be done in accordance with all national and local codes and permits. In no way is this document intended to construe warranty or fitness of use of the products described, nor is it intended to provide safety instruction for those installing the product.

### **WARNING**

#### Before proceeding with installation or service maintenance of this product:

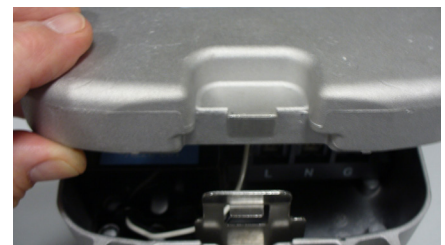
- Disconnect power to reduce electrical shock risk.
- Review the entire Installation Guide.
- Inspect this properly packaged product for any damage that may have occurred during transit.
- Verify product application complies with manufacturer design recommendations.
- Verify the availability of necessary tools and incidental material.
- Verify applicable code requirements. Field assembly and installation are subject to acceptance by local inspection authority.
- Appropriate safety equipment to be determined by end user, per applicable safety standards and precautions.

## Luminaire Installation

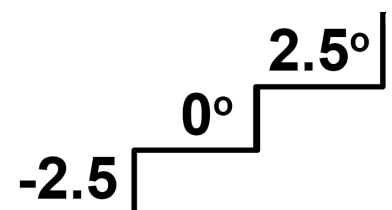
**Step 1** - Pull forward on the retaining clip to unfasten the door latch.



**Step 2** - Lift the door and pull it open to access internal components.



**Step 3** - Loosen the slip-fitter bracket bolts and insert the mounting arm. The maximum outside diameter for the mounting arm is 2-3/8" (60.3mm). The minimum outside diameter for the mounting arm is 1-5/8" (41.28mm). Mounting arm to be placed "stopped" against appropriate step required to achieve desired degree of tilt. Steps vary from from 0° to 2.5°.



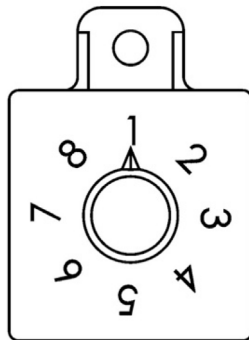
**Step 4** - Securely tighten bolts to 16±2lbs-ft. (22Nm ± 3Nm) by alternating from bolt to bolt **in equal measured amounts of 25% torque**. (See image below for tightening order) Ensure that the slip-fitter bracket does not tilt completely to one side and refrain from unevenly tightening bolts, as it will cause cross-threading.



**WARNING:** Avoid tightening bolts unevenly, as it may cause cross-threading.

**Step 5 - Adjust Drive Current/Light Output**

An optional CS output selector is used to adjust the illumination levels and circuit loading. Please refer to SafeGuard™ specification sheet for specific details.



**8-step Current Selector**

<b>1</b>	54_530
<b>2</b>	46_450
<b>3</b>	37_370
<b>4</b>	34_330
<b>5</b>	21_205
<b>6, 7, 8</b>	54_530

**Unit: W<sub>IOUT</sub>(mA)**

**Step 6** - Connect the green conductor to the ground chassis marked “G”(shown to the right of the terminal block).

**Step 7** - Connect the black conductor (Hot 1) to the input terminal marked “L”.

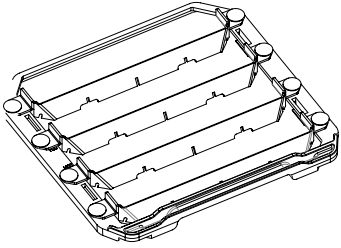
**Step 8** - Connect the white conductor (Neutral) or second black conductor (Hot 2) to the input terminal marked “N” according to Wiring Table.

**Step 9** - Close the door.

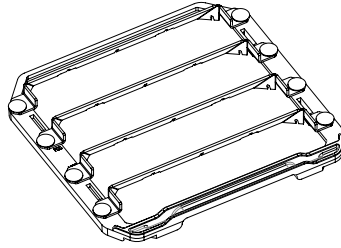
**Step 10** - If luminaire is furnished with photocontrol receptacle, install the photo control or shorting cap.



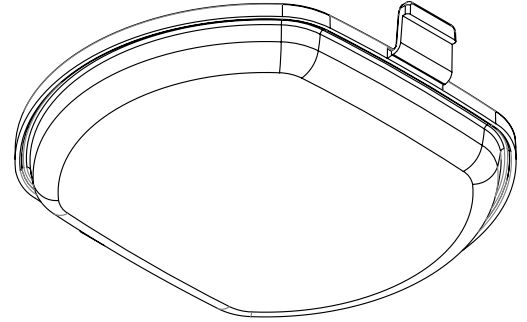
Optional Color Temperature Filter (CTF) and Glare Shields.



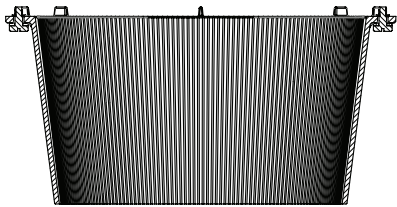
House Side Shield  
Part# HSSUTL16



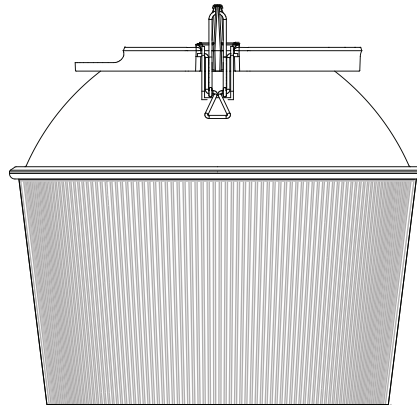
Front Side Shield  
Part# FSSUTL16



Color Temperature Filter  
Part# CTFUTL16

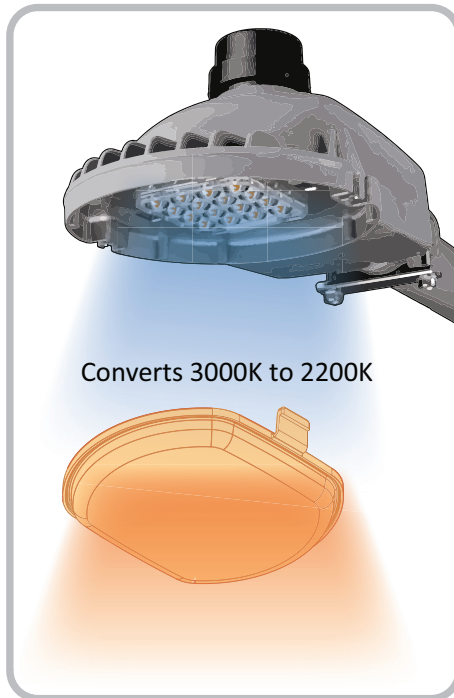
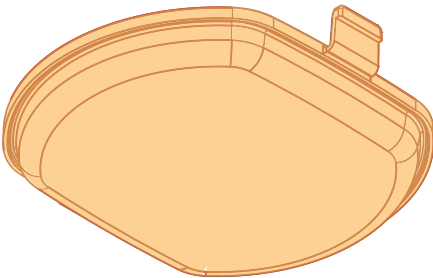


Drop-down  
Refractor Lens  
Part# DR



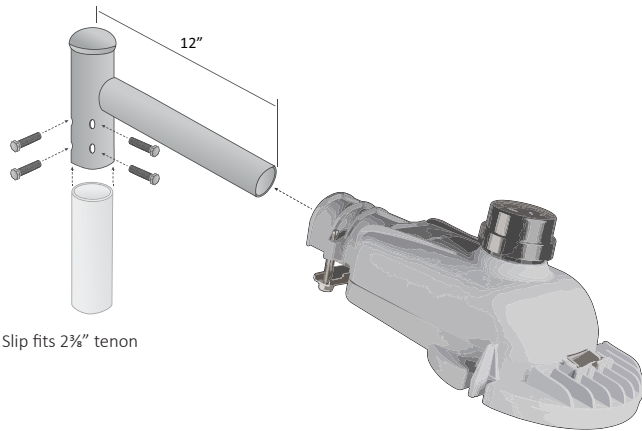
NEMA  
Dropdown Lens  
(Provided by others)

Color Temperature Filter  
Part# CTFUTL16



**Mounting Accessories**

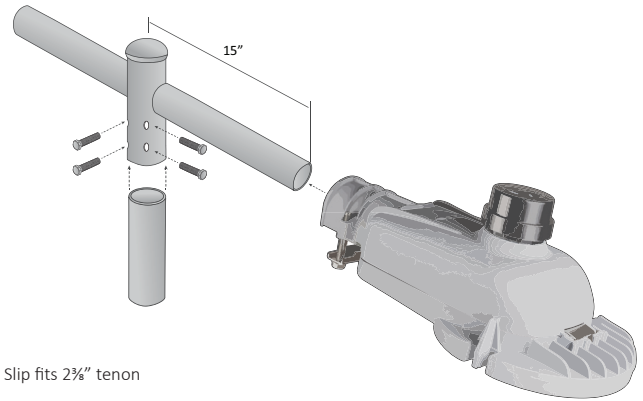
**PTB - Pole Top Tenon Horizontal Arm Bracket**



Slip fits 2 3/8" tenon

Mounting Hardware provided with bracket  
3/8"-16 X 3/4" H.H.C.S. (2 SETS OF 2 @ 90°)

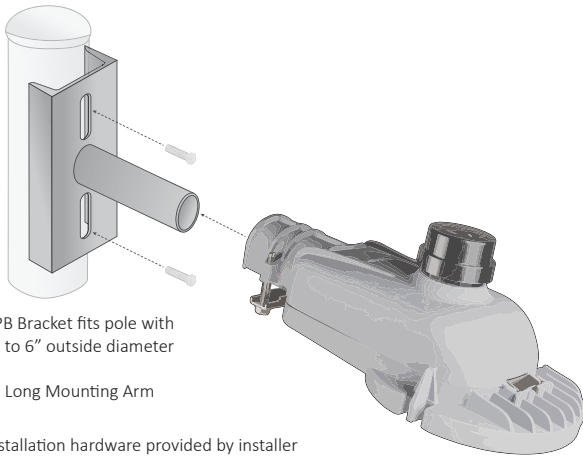
**PTB2 - Pole Top Tenon Horizontal Arm Bracket (2@180°)**



Slip fits 2 3/8" tenon

Mounting Hardware provided with bracket  
3/8"-16 X 3/4" H.H.C.S. (2 SETS OF 2 @ 90°)

**RPB - Round Pole Horizontal Arm Bracket**

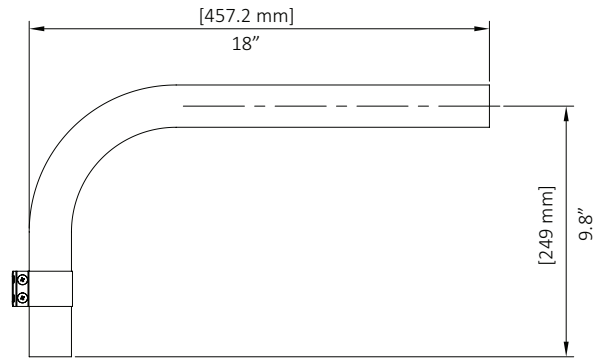


RPB Bracket fits pole with  
3" to 6" outside diameter

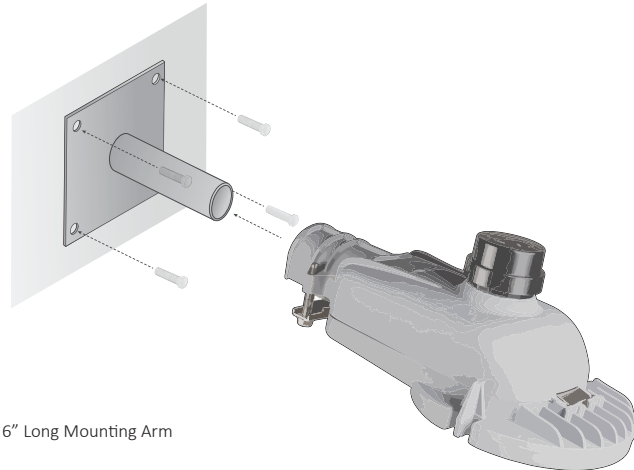
6" Long Mounting Arm

Installation hardware provided by installer

**PA-18 - 18" Pipe Arm Accessory**



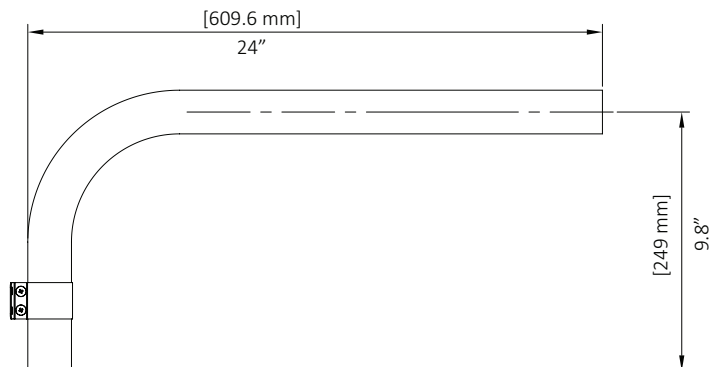
**WB - Wall Horizontal Arm Bracket**



6" Long Mounting Arm

Installation hardware provided by installer

**PA-24 - 24" Pipe Arm Accessory**



Specification drawings for mounting accessories are available at

<https://leotek.com/lighting-library/>