

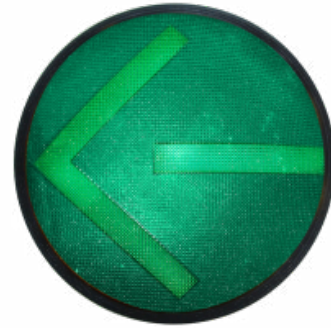
IL6-P3 48V Series LED 12" Traffic Signal Module Incandescent Look Arrow

Leading the LED Industry Since 1992

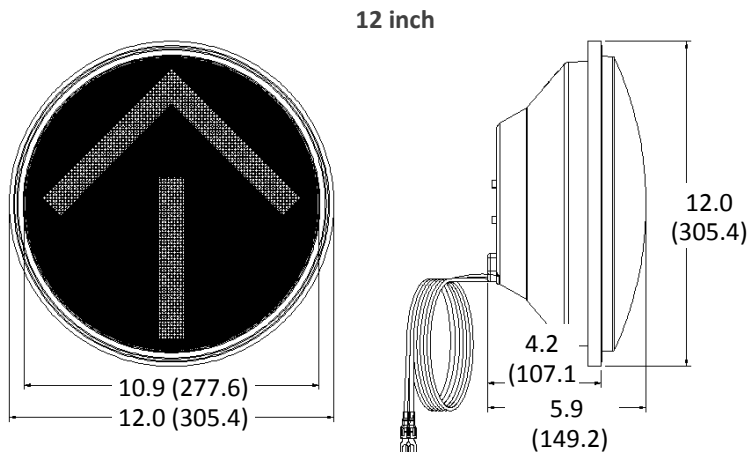
With over 7,000,000 units installed globally

Superior Performance and Reliability

- Enhanced safety to reduce the risk of high-voltage shocks
- Increased the efficiency to save more power per intersection
- Compatible with the latest ATC 48V cabinet for future upgrades of solar applications and battery backup systems
- Wider viewing angle and enhanced uniformity
- Maintains 70% of the initial lumen intensity after 100,000 hours of operation
- Overmolded electrical connectors provide fully-weatherized seal
- Excellent moisture and dust resistance
- Utilizes constant current source to maintain consistent light output
- Superior thermal management
- Energy efficient and environmentally friendly
- 5-year limited warranty






Mechanical Dimensions [in(mm)]



IL6-P3 48V Series LED 12" Traffic Signal Module Incandescent Look Arrow

Model Specifications and Ordering Options

Operating Temperature: -40°F to 165°F (-40°C to 74°C)	Turn-On/Turn-Off Time: < 75msec
Operating Voltage: 36 - 60Vdc	Turn-Off Voltage: > 35Vdc

	Model Number and Color	Wattage Drawn	Voltage	Dominant Wavelength	Maintained Intensity (cd) Min.	Standard
IL6-P3	12 inch arrow					
	TSL-12RA-IL6-L1-P3 	3.6	36-60Vdc	626	58.4	ITE 2007*
	TSL-12YA-IL6-L1-P3 	7.2	36-60Vdc	589	145.6	ITE 2007*
	TSL-12GA-IL6-L1-P3 	4.8	36-60Vdc	500	76.0	ITE 2007*

Note: Tinted lens standard, clear lens optional. When ordering clear lens, please add "-CLR" to model number.

Standard Conformance

- MIL-STD-810F Moisture Resistant
- MIL-STD-883 Mechanical Vibration

*ITE VTCSH Compliance - LED Vehicle Arrow Traffic Signal Supplement – July 1, 2007

• Conditioning	ITE 6.4.2	• Luminous Intensity	ITE 6.4.4.1-4
• Mechanical Vibration	ITE 6.4.3.1	• Chromaticity	ITE 6.4.4.6
• Temperature Cycling	ITE 6.4.3.2	• Current Consumption	ITE 6.4.6.1