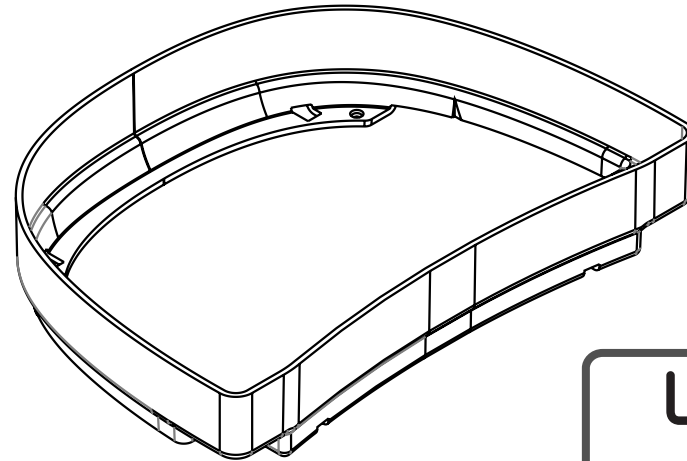
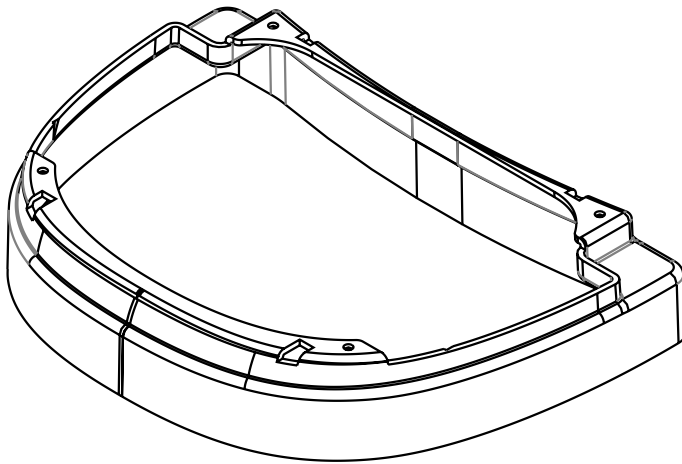
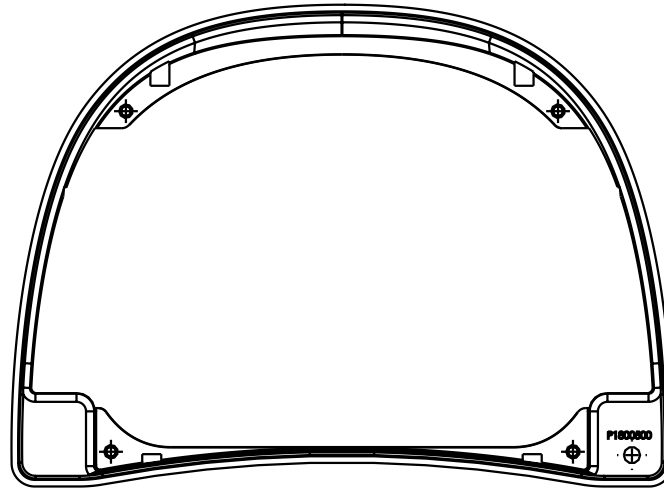


ComfortView 80 Degree Cutoff Shield (VHCS) Assembly



NOTES:

- Color: Gray
- Meets ROHS standard
- Meets UL94 5VA Flammability Standard
- 80 Degree Cutoff Shield eliminates high angle glare above 80 degrees from nadir and cuts light off at $1\frac{1}{2}$ times the mounting height behind and $2\frac{1}{3}$ times the mounting height laterally.

Page 1 of 2

Model No	Model Name
VHCS	ComfortView™ 80 Degree Cutoff Shield

LEOTEK[®]
LITE-ON GROUP

ComfortView™ 80 Degree Cutoff Shield
(VHCS)

LEOTEK ELECTRONICS USA, LLC
1955 LUNDY AVENUE
SAN JOSE, CA 95131
PHONE: (408) 380-1788
FAX: (408) 518-8128



Captive screws are attached to each corner of the 80 Degree Cutoff Shield to align with the threaded holes in the fixture's housing. Place the shield on the underside of the light fixture as shown and firmly tighten the screws.

Model No	Model Name
VHCS	ComfortView™ 80 Degree Cutoff Shield

LEOTEK[®]
LITE-ON GROUP

ComfortView™ 80 Degree Cutoff Shield
(VHCS)

LEOTEK ELECTRONICS USA, LLC
1955 LUNDY AVENUE
SAN JOSE, CA 95131
PHONE: (408) 380-1788
FAX: (408) 518-8128