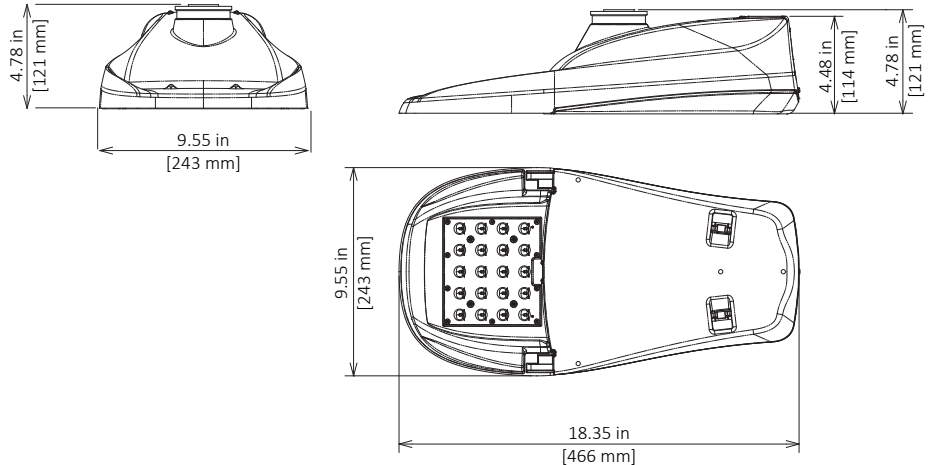


GreenCobra™ Jr. LED Street Light

G CJ G-Series Specification Data Sheet

Luminaire Data

Weight 7.7 lbs [3.5 kg]
EPA 0.39 ft²



Ordering Information

Sample Catalog No. G CJ1 20G MV NW 2 GY 580

Product	LED No. & Type	Voltage	Color Temperature	Distribution	Finish	Drive Current Code ¹	Options
G CJ1 350mA to 700mA	20G	MV 120-277V	WW 3000K	2 Type 2 3 Type 3	GY Gray	350 ² 350mA 580 ² 580mA 700 700mA 1A ³ 1A	FDC ⁴ Fixed Drive Current
G CJ2 700mA to 1A			NW 4000K CW 5000K		DB Dark Bronze BK Black		LPCR Less Photocontrol Receptacle PCR7 ⁵ ANSI 7-wire Photo-control Receptacle PCR7-CR ⁶ Control Ready 7-wire PC Receptacle WL Utility Wattage Label 4B 4-Bolt Mounting Bracket RWG Rubber Wildlife Guard-Coastal Paint Finish CF ⁷

Notes:

- Specified drive current code is the factory set maximum drive current. Field adjustable current selector enables standard dimming to lower wattage drive currents only. Consult factory if wattage limits require a special drive current.
- 350mA and 580mA drive current available with G CJ1 only.
- 1A drive current available with G CJ2 only.
- Non-field adjustable, fixed drive current. Specify required drive current. Not available with PCR7-CR option.
- Field adjustable current selector included to enable standard dimming to lower wattage drive currents only. Field changeable connectors included to enable connection to PCR7 (wireless node dimming is disabled by default).
- Control-ready wiring at factory for wireless node dimming. Default maximum drive current (700mA or 1A) must be specified.
- Specify the CF Option if the luminaire is installed within one mile of a saltwater coastline in order for the finish to be covered by warranty.
- Flush mounted house side shield. Shield cuts light off at 1/2 mounting height behind luminaire.
- Flush mounted cul-de-sac shield. Shield cuts light off at 1/2 mounting height behind luminaire and 1-1/2 mounting height on either side of luminaire.
- Specify Color (GY, DB, BK)

Accessories*

HSSGC ⁸	House Side Shield, Snap-On*
CSSGCJ ⁹	Cul-De-Sac Side Shield, Snap-On*
SPB ¹⁰	Square Pole Horizontal Arm Bracket
RPB ¹⁰	Round Pole Horizontal Arm Bracket
PTB ¹⁰	Pole Top Tenon Horizontal Arm Bracket
WB ¹⁰	Wall Horizontal Arm Bracket
BSK	Bird Deterrent Spider Kit
LLPC	Long-Life Twist Lock Photocontrol
SC	Twist Lock Shorting Cap

*Unless specified for field installation, Shields and Shorting Caps are shipped installed. All other options are shipped separately.



Luminaire Specifications

Housing

Die cast aluminum housing with universal two-bolt slip fitter mounts to 1-1/4" to 2" (1-5/8" to 2-3/8" O.D.) diameter mast arm. One-piece aluminum housing provides passive heat-sinking of the LEDs and has upper surfaces that shed precipitation. Four-bolt mounting bracket is available. Mounting provisions meet 3G vibration per ANSI C136.31-2010 Normal Application, Bridge & Overpass. Mounting has leveling adjustment from ± 5° in 2.5° steps. Electrical components are accessed without tools via die cast aluminum door with stainless steel quick-release latches. Provided standard with removable polycarbonate wild life guard. For additional protection, optional rubber wild life guard (RWG) which conforms snugly to the mast arm is offered.

Light Emitting Diodes

LEDs produce minimum 90% of initial intensity at 60,000 hours of life per IES recommended lumen maintenance life projection based on 6 times the duration of the collected LM-80 data. For details on IESNA Position on LED Product Lifetime Prediction, PS-10-18. LEDs have correlated color temperature of 3000K (WW), 4000K (NW), or 5000K (CW) and 70 CRI minimum. LEDs are ROHS compliant, 100% mercury and lead free.

Field Adjustability

LED lumen output can be changed in the field to adjust drive current for local conditions (not available with PCR7-CR option). The specified driver current will be the factory set output. Field adjustments can be made with the output selector included in the fixture. Field adjustable range shown in performance data table.

Quality Control

Every luminaire is performance tested before and after a 2-hour burn-in period. Assembled in the USA.

Optical Systems

Micro-lens optical systems produce IESNA Type 2 or Type 3 distributions and are fully sealed to maintain an IP66 rating. Luminaire produces 0% total lumens above 90° (BUG Rating, U=0). Optional house side shield cuts light off at 1/2 mounting height behind luminaire. Cul-de-sac shield provides back and side light control for end of cul-de-sac applications. Both shields are field installable without tools.

Electrical

Rated life of electrical components is 100,000 hours. Uses isolated power supply that is 1-10V dimmable. Power supply is wired with quick-disconnect terminals. Power supply features a minimum power factor of .90 and <20% Total Harmonic Distortion (THD). EMC meets or exceeds FCC CFR Part 15. Terminal block accommodates 6 to 14 gauge wire. Surge protection complies with IEEE/ANSI C62.41 Category C High, 20kV/10kA.

Controls

3-Wire photocontrol receptacle is standard. ANSI C136.41 7-wire (PCR7) photocontrol receptacles are available. All photocontrol receptacles have tool-less rotatable bases. Wireless control module is provided by others.

Finish

Housing receives a durable, fade-resistant polyester powder coat finish. Finish tested to withstand 3000 hours in salt spray exposure per ASTM B117. Finish tested 500 hours in UV exposure per ASTM G154 and meets ASTM D523 gloss retention. Coastal Finish meets G85 test standard.

Listings/Ratings/Labels

Luminaires are UL listed for use in wet locations in the United States and Canada. International Dark Sky Association listed. Luminaire is qualified to operate at ambient temperatures of -40°C to 40°C.

Photometry

Luminaires photometrics are tested by certified independent testing laboratories in accordance with IES LM-79 testing procedures. IES files for all CCTs are available at leotek.com.

Warranty

10-year limited warranty is standard on luminaire and components. See Leotek.com for warranty details.

Vandal Resistance

Housing and optics rated to IK10

Performance Data: 4000K (NW) and 5000K (CW)

All data nominal. IES files for all CCTs are available at leotek.com.

Product	Drive Current (mA)	System Wattage (W)	Delivered Lumens (Lm) ¹	Efficacy (Lm/W)	Type 2	Type 3
					BUG Rating	BUG Rating
GCJ1	350	24	2400	100	B1 U0 G1	B1 U0 G1
	580	38	3700	97	B1 U0 G1	B1 U0 G1
	700	48	4400	92	B1 U0 G1	B1 U0 G1
GCJ2	700	48	4400	92	B1 U0 G1	B1 U0 G1
	1A	74	5900	80	B1 U0 G2	B2 U0 G2

Performance Data: 3000K (WW)

All data nominal. IES files for all CCTs are available at leotek.com.

Product	Drive Current (mA)	System Wattage (W)	Delivered Lumens (Lm) ¹	Efficacy (Lm/W)	Type 2	Type 3
					BUG Rating	BUG Rating
GCJ1	350	24	2400	100	B1 U0 G1	B1 U0 G1
	580	38	3650	96	B1 U0 G1	B1 U0 G1
	700	48	4300	90	B1 U0 G1	B1 U0 G1
GCJ2	700	48	4300	90	B1 U0 G1	B1 U0 G1
	1A	74	5700	77	B1 U0 G1	B2 U0 G2

Notes:

1 Nominal lumens. Normal tolerance ± 10% due to factors including distribution type, LED bin variance, and ambient temperatures.