

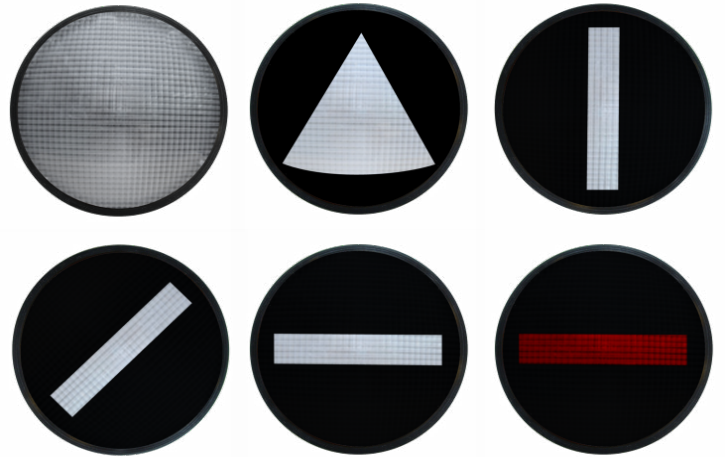
# LED Transit Indications IL Series Signal Module

## Leading the LED Industry Since 1992

With over 7,000,000 units installed globally

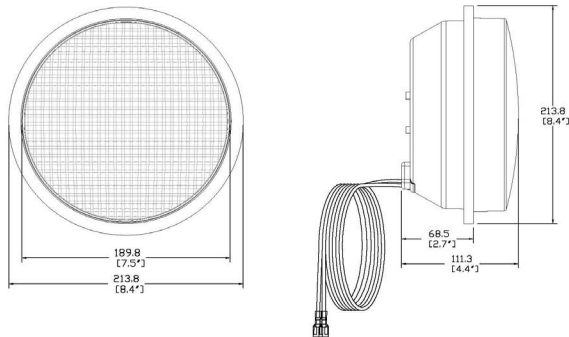
### Longer Lasting, Brighter Light

- Meets AREMA and Transport Canada standards for Safety Assurance
- Reliable High Flux / High Power LEDs
- Excellent moisture and dust resistance
- Robust hard-coated and UV-stabilized polycarbonate lens for increased longevity against the elements
- Maintains 70% of the initial lumen intensity after 100,000 hours of operation
- 5-Year Limited Warranty

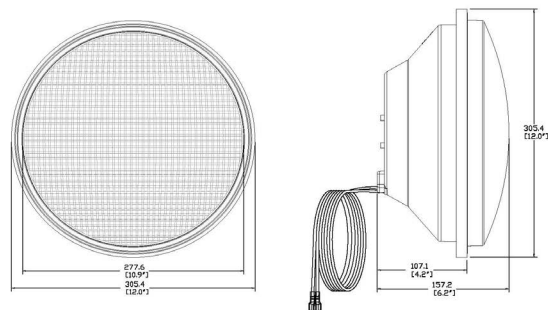


### Mechanical Dimensions [in(mm)]

#### 8 inch



#### 12 inch



## Model Specifications and Ordering Options

Operating Temperature	-40°F to 165°F (-40°C to 74°C)
Input Voltage	80-135 Vac, 60Hz
Power Factor	>0.90

Turn on/off time	<75msec
Moisture	MIL-STD-810F
Electronic Noise	FCC Title 47 Sub. B Sec 15 Class A

Size	Model	Color	LED Type	Wattage Drawn
8 inch	TSL-08W-LX-IL6-A1	○	InGaN	5.9
12 inch	TSL-12W-LX-IL6-A1	○	InGaN	6.9
	TSL-12W-IL6-TR-A1	◐	InGaN	6.9
	TSL-12W-IL6-BV-A1	◑	InGaN	6.9
	TSL-12W-IL6-BD-A1	◒	InGaN	6.9
	TSL-12W-IL6-BH-A1	◓	InGaN	6.9
	TSL-12R-IL6-BH-A1	◔	AllnGaP	5.6